

**IBM INSTALLATION INSTRUCTIONS**

<b>WRITTEN BY:</b>	L H Lowrie
<b>CHECKED BY:</b>	G A Carter
<b>APPROVED BY:</b>	W H Monsen
<b>FIELD SUPPORT/DP CE REVIEW:</b>	C A Lopez

**TITLE: SYSTEM 5363 OR 5363 I UPGRADE TO 5363 II**

**BEFORE INSTALLATION (Steps 1-8)**

**1.0 MACHINES AFFECTED**

System/5363 or System/5363 I.

**2.0 PREREQUISITES/CONCURRENT/COMPANION**

2.1 PREREQUISITES

System being upgraded must:

- Be a 5363 or 5363 I
- Have Release 5.1 SSP
- Have enhanced microcode
  - Diskette 61, Part 6374380 or higher part number
  - Diskette 62, Part 6374381 or higher part number

2.2 CONCURRENT (MUST BE INSTALLED TOGETHER)

If processor expansion feature FC 2600 (Feature IOP Processor 5363) or FC 2601 (Feature IOP Processor 5363 I) has not been previously installed (see Companion Section), then FC 2601 must be installed concurrent with this model upgrade.

2.3 COMPANION (MAY BE INSTALLED SEPARATELY)

The processor expansion feature FC 2600 or FC 2601 may be installed separately, prior to this model upgrade.

The DASD upgrade feature FC 2500 or FC 2520 may be installed separately, prior to this model upgrade.

EC NO	837425A	837465	837483	843430				
DATE	21JUN88	02SEP88	10APR89	13OCT89				

**IBM INSTALLATION INSTRUCTIONS**

**3.0 BM's TO BE INSTALLED**

<u>FFBM</u>	<u>DESCRIPTION</u>	<u>SYSTEM/36 MODEL CHANGE</u>
92X6471	Sys 5363 or 5363 I Upgrade to 5363 II	5363 or 5363 I to 5363 II
OR		
92X6472	Feature Power Upgrade	5363 Only to 5363 II
OR		
92X6474	Feature Power Upgrade (E/ME/A only)	5363 Only to 5363 II
OR		
92X6473	Base Power/A1 Board Upgrade	5363 Only to 5363 II

**4.0 PREPARATION**

- 4.1 Verify system operation by running SYSTEST (see Section 3 Procedure 328 of MIM) before installing this feature.
- 4.2 Ensure customer has current backup.
- 4.3 Familiarize yourself with the purpose and details of this installation instruction.
- 4.4 Check all items and count parts listed on the BM to be installed to determine that all parts have been received.

**Note:** Prior to the handling of ESD-sensitive parts, refer to the 5363 Maintenance Information Manual, Appendix C, "Working With ESD Sensitive Cards."

**5.0 PROGRAM UPDATE**

None.

**6.0 PURPOSE AND DESCRIPTION**

6.1 PURPOSE

Upgrade System 5363 to 5363 II by adding a new A1 board and new base power.

6.2 DESCRIPTION

Remove old level A1 board and install a new level A1 board. Remove old level base power and install a new level supply. Remove old logo and add a new logo.

EC NO	837425A	837465	837483	843430				
DATE	21JUN88	02SEP88	10APR89	13OCT89				

**IBM INSTALLATION INSTRUCTIONS**

**7.0 INSTALLATION TIME**

FFBM	DESCRIPTION	MACH HRS	SYS HRS	NO OF CEs
92X6471	Sys 5363 or 5363 I Upgrade to 5363 II	NA	NA	NA
OR				
92X6472	Feature Power Upgrade			
OR				
92X6474	Feature Power Upgrade (E/ME/A only)			
OR				
92X6473	Base Power/A1 Board Upgrade			

**8.0 SPECIAL TOOLS AND/OR MATERIAL REQUIRED**

None.

**INSTALLATION (Steps 9-11)**

**9.0 SAFETY**

Unplug the system and attached units from the wall outlet before installation begins.

**10.0 DETAILS OF INSTALLATION**

**10.1 REPLACEMENT OF A1 BOARD**

**Note:** Only required for 5363. If 5363 I, go to Step 10.3

- 10.1.1 Remove rear cover and system unit cover per MIM Procedure 305.
- 10.1.2 Unsnap and remove the fan air flow cover.
- 10.1.3 Verify that the A1 board needs to be replaced. If the A1 board has a vertically positioned FRU label, which can be seen on the lower left corner of the A1 board by looking between the logic unit and the fan (see Figure 1), or if the A1 board has a rework wire connecting A1B2M04 to A1G2P13, then it does not need to be replaced. Proceed to Step 10.1.19 for switch settings on the A1 board, and then go to Step 10.2 of this instruction.

EC NO	837425A	337465	837483	843430				
DATE	21JUN88	02SEP88	10APR89	13OCT89				

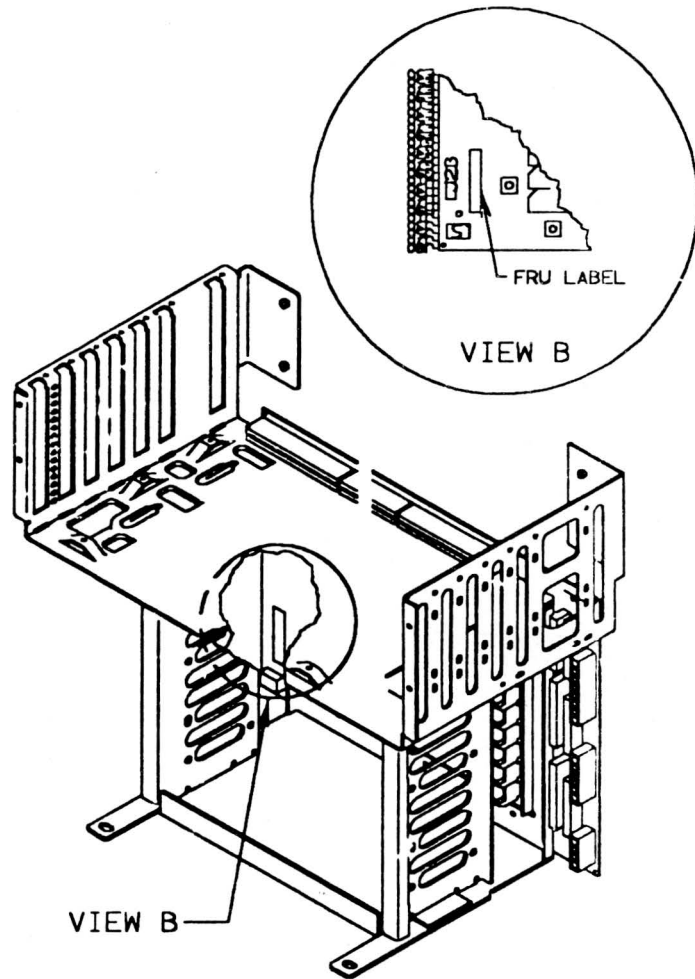


Figure 1

EC NO	837425A	837465	837483	343430				
DATE	21JUN88	02SEP88	10APR89	13OCT89				

**IBM INSTALLATION INSTRUCTIONS**

- 10.1.4 Disconnect all cables from the A1 board and B1 board if present (see MIM Procedure 220).
- 10.1.5 Remove logic cover.
- 10.1.6 Remove all top card connectors from the cards on the A1 board.
- 10.1.7 Remove all cards from the A1 board.  
**Note:** Label all cards as to which location they were removed from. This will be of help when you reinstall the cards.  
**Note:** If B1 board is not present, go to Step 10.1.13 to remove memory card.
- 10.1.8 Remove the four screws holding the logic frame support bracket. Remove the bracket and set aside (reference Figure 2).
- 10.1.9 Remove the storage card retainer screw, then remove the B1 board card retainer (see Figure 2).

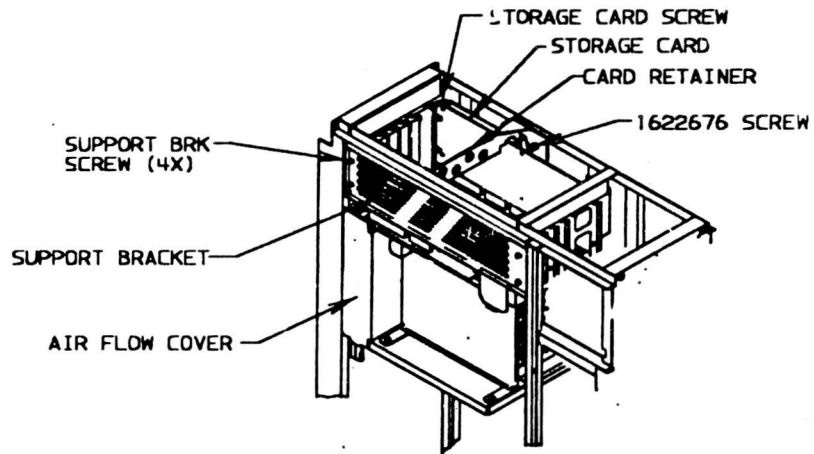


Figure 2

- 10.1.10 Remove all cards from the B1 board.

EC NO	837425A	837465	837483	843430				
DATE	21JUN88	02SEP88	10APR89	13OCT89				

**IBM INSTALLATION INSTRUCTIONS**

**Note:** Label all cards as to which location they were removed from. This will be of help when you reinstall the cards.

- 10.1.11 Remove two screws securing B1 board to logic gate (reference MIM Procedure 340).
- 10.1.12 Pull and slide B1 board out of the A1 board Connectors B1-G (go to Step 10.1.14).
- 10.1.13 Remove two screws that hold the main storage card to the logic frame. Unplug and remove the storage card from the A1 board.
- 10.1.14 Remove the logic card gate fan MIM 310.
- 10.1.15 Remove the six screws that hold the logic case to the 5363 frame.

**Note:** Reference MIM Procedure 342.

- 10.1.16 Slide the logic cage toward you and out of the frame.
- 10.1.17 Place the logic cage on a firm surface with the 12 screws securing the A1 board facing up.

**Note:** Note the location of the B1-G connectors. This will be of help to you when you reinstall the new A1 board. If this note is not followed, you may installed the A1 board backward.

- 10.1.18 Remove the 12 screws securing the A1 board to the logic gate assembly. Remove the board, but retain the plastic locator under the board.
- 10.1.19 Replace the A1 board with a new board, furnished with this instruction.

**Note:** Check the switches in the lower-left corner of the new board to see if they are set as shown in Figure 3. The dark area indicates pushed-down switch.

EC NO	837425A	837465	837483	843430				
DATE	21JUN88	02SEP88	10APR89	13OCT89				

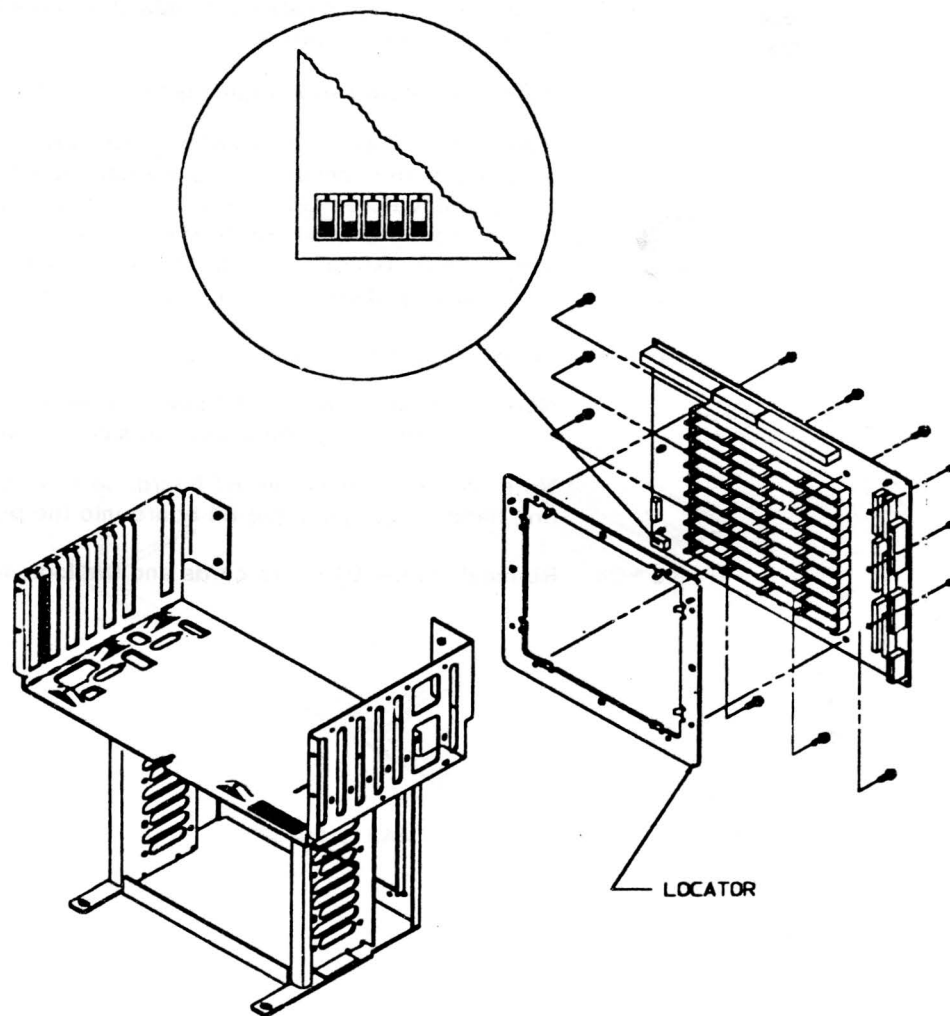
**IBM INSTALLATION INSTRUCTIONS**

Figure 3

- 10.1.20 Reinstall the logic frame into the system frame.
- 10.1.21 Reinstall logic card gate fan (MIM 310)
- 10.1.22 Reinstall all signal cables on the A1 board.

EC NO	837425A	837465	837483	843430				
DATE	21JUN88	02SEP88	10APR89	13OCT89				

**PART NUMBER: 92X6471**

**IBM INSTALLATION INSTRUCTIONS**

**Page 16 of 20**

- 10.5.6 Install the two new lower rear frame EMC conductors (see detail on Figure 8). Align lower EMC conductor to just cover frame weld.

EC NO	837425A	837465	837433	843430				
DATE	21JUN88	02SEP88	10APR89	13OCT89				

alk136D

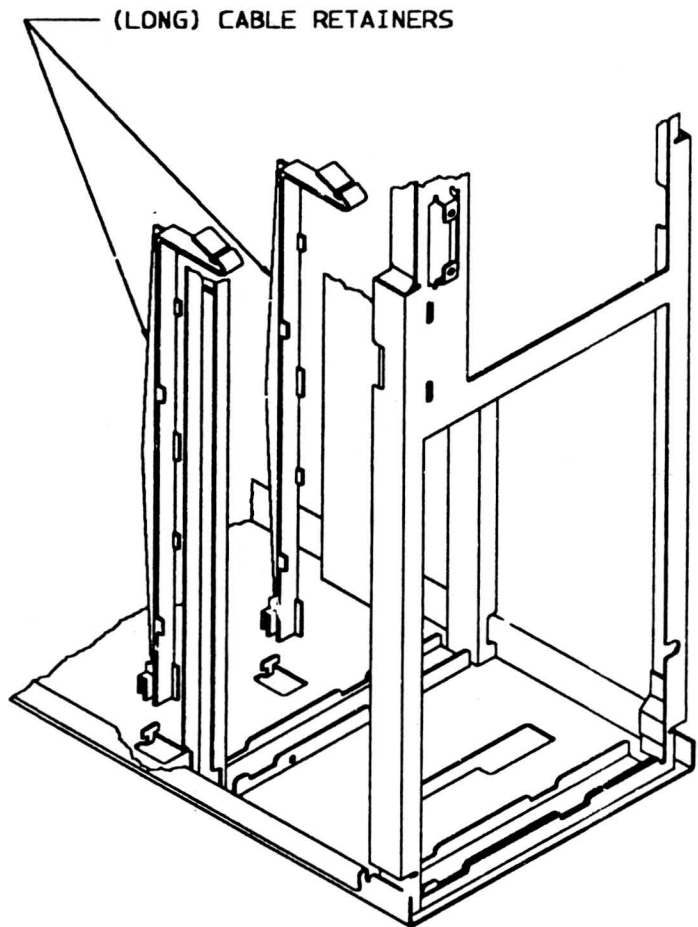


Figure 9

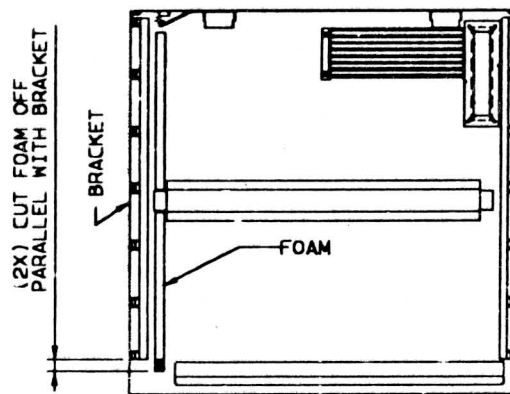
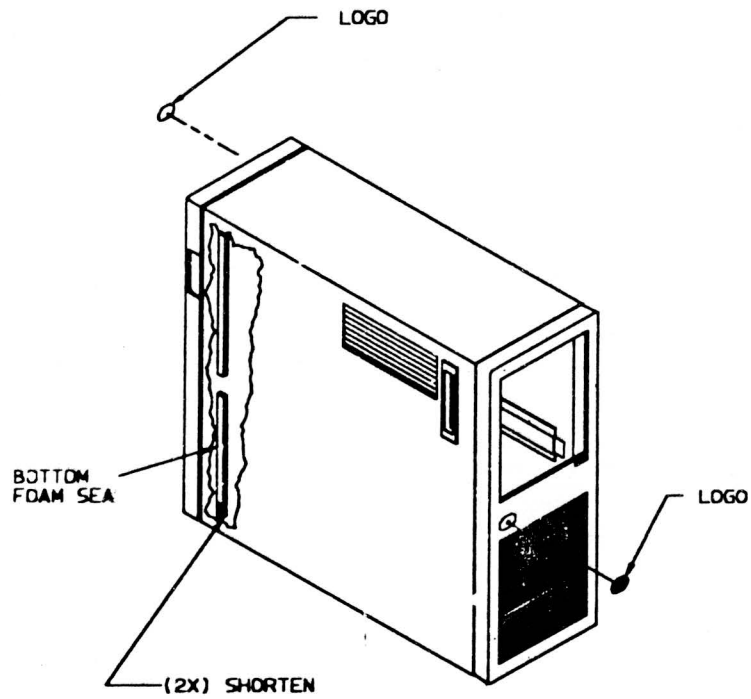
EC NO	837425A	837465	837483	343430				
DATE	21JUN88	02SEP88	10APR89	13OCT89				

**IBM INSTALLATION INSTRUCTIONS**

- 10.5.7 Remove 25 mm of foam strip from both inside bottom edges of cover (see Figure 10). Clean area under foam removed for EMC conductor.
- 10.6 Replace Logos and Reinstall Cover
  - 10.6.1 Replace logo on front and rear cover with 5363 II logo (furnished with this instruction). Use a round object to remove the old logo from the rear of the cover. There is a hole in the cover for this purpose.  
**Note:** Changing of the logo is critically important for level identity for future feature ordering.
  - 10.6.2 Replace covers per MIM Instruction 305.

EC NO	837425A	837465	837483	843430				
DATE	21JUN88	02SEP88	10APR89	13OCT89				

**IBM INSTALLATION INSTRUCTIONS**



VIEW OF INSIDE COVER

EC NO	837425A	837465	837483	843430				
DATE	21JUN88	02SEP88	10AFR89	13OCT89				

**IBM INSTALLATION INSTRUCTIONS**

10.7 Discard previous microcode diskette and retain the new microcode diskettes with the system.

**11.0 TEST PROCEDURE**

Note: If additional DASD was installed, follow DASD instruction 10.6 to initialize disk drive(s).

11.1 IPL the system using the new DKS61 and DKS62 diskettes provided with this upgrade under Mode 3, 10FF, and verify that the disk storage size is correct.

11.2 Follow the prompts to complete configure-customize.

11.3 Once configure-customize is complete, re-iPL the system and run SYSTEST to verify function.

**AFTER INSTALLATION (Steps 12-15)**

**12.0 FIELD UPDATES**

None.

**13.0 FIELD SUPPORT PUBLICATION**

13.1 Discard previous documentation and replace with documentation provided with update.

**14.0 PARTS DISPOSITION: DOMESTIC AND WT**

14.1 PURCHASED MACHINES

All removed parts are the property of IBM.

14.2 DOCUMENTATION

Dispose of locally.

**15.0 MACHINE RECORDS**

15.1 Report installation and quality according to existing procedures.

EC NO	837425A	837465	837483	843430				
LATE	21JUN88	02SEP88	10APR89	13OCT89				

DES057I REQUESTED BLOCK NOT AVAILABLE: 0C7FDDDF4 RC=04  
05JAN90 1208

PG-001

ORG LOC BLDG DEPT ADDRESSEE  
D37 SAMP GDT. 0928 G.D.T.S.PALOMBA  
FIELD ENGINEERING BILL-92X7498 EC LEVEL- 929247 LOC-VIME

MACHINE TYPE-NONE

TITLE- FFB/M-INST DASD EXPANSION BASE PWR/FEATURE PWR  
ELSI BACK PLANE EMEA

MAINTENANCE REFERENCE MATERIAL  
NONE

DFS057I REQUESTED BLOCK NOT AVAILABLE: 0C7FDDDF4 RC=04

PARTS AND ASSEMBLIES

CK PART NUMBER	QUANTITY	U/M	FRU	NAME	DESCRIPTION	REFERENCE/EC
92X6471	1	1		DASD EXPAN	3RD DASD	
92X6473	1	1		FFB/M	POWER UPGRADE	
92X6474	1	1		FFB/M	POWER UPGRADE	

COMMENTS--RETAIL B/M USED FOR DISTRIBUTION CENTER. CHG-10000837425  
DISTRIBUTION CENTER WILL SHIP 92X6471, 92X6473 AND 10000837425  
92X6474. 10000837425

END OF BILL OF MATERIAL

DFS057I REQUESTED BLOCK NOT AVAILABLE: 0C7FDDDF4 RC=04

\*\*\*LAST PAGE\*\*\*

ATTENTION TO CE .

P/N 92X6374 INCLUDES MANUAL SY31-9054-

P/N 92X6375 INCLUDES MANUAL SY31-9055-

DFS057I REQUESTED BLOCK NOT AVAILABLE: 0C7FDDDF4 RC=04  
05JAN90 1211

PG-001

ORG LOC BLDG DEPT ADDRESSEE  
D37 SAMP GDT. 0928 G.D.T.S.PALOMBA  
FIELD ENGINEERING BILL-6374394

EC LEVEL- 837495 LOC-VIME

MACHINE TYPE-NONE

TITLE- DISKETTE ASSEMBLY DSKT 61

MAINTENANCE REFERENCE MATERIAL  
NONE

DFS057I REQUESTED BLOCK NOT AVAILABLE: 0C7FDDDF4 RC=04

PARTS AND ASSEMBLIES

CK PART NUMBER	QUANTITY	U/M	FRU	NAME	DESCRIPTION	REFERENCE/EC
21F4228	1	1		DATA	DSKT 61	837495
6022805	1	1		ENVELOPE		
6295022	1	1		DISKETTE	UNFORMATTED	
6369778	1	1		LABEL	FAN FOLD	

COMMENTS- NONE

END OF BILL OF MATERIAL

\*\*\*LAST PAGE\*\*\*

DFS057I REQUESTED BLOCK NOT AVAILABLE: 0C7FDDDF4 RC=04

DFS057I REQUESTED BLOCK NOT AVAILABLE: 0C7FDDDF4 RC=04

PG-001

05JAN90 1212  
ORG LOC BLDG DEPT ADDRESSEE  
D37 SAMP GDT. 0928 G.D.T.S.PALOMBA  
FIELD ENGINEERING BILL-6374395

EC LEVEL- 837495 LOC-VIME

MACHINE TYPE-NONE  
TITLE- DISKETTE ASSEMBLY DSKT 62

MAINTENANCE REFERENCE MATERIAL  
NONE

DFS057I REQUESTED BLOCK NOT AVAILABLE: 0C7FDDDF4 RC=04

PARTS AND ASSEMBLIES

CK PART NUMBER	QUANTITY	U/M	FRU	NAME	DESCRIPTION	REFERENCE/EC
21F4229	1	1		DATA	DSKT 62	837495
6022805	1	1		ENVELOPE		
6295022	1	1		DISKETTE	UNFORMATTED	
6369778	1	1		LABEL	FAN FOLD	

COMMENTS- NONE

END OF BILL OF MATERIAL  
\*\*\*LAST PAGE\*\*\*

DFS057I REQUESTED BLOCK NOT AVAILABLE: 0C7FDDDF4 RC=04

DFS057I REQUESTED BLOCK NOT AVAILABLE: 0C7FDDDF4 RC=04  
05JAN90 1212

PG-001

ORG LOC BLDG DEPT ADDRESSEE  
D37 SAMP GDT. 0928 G.D.T.S.PALOMBA  
FIELD ENGINEERING BILL-92X6474 EC LEVEL- 837465 LOC-VIME

MACHINE TYPE-5363-  
TITLE- FFB/M FEATURE POWER UPGRADE W/O COMM, LAN OR TAPE  
EMEA

MAINTENANCE REFERENCE MATERIAL						
CK PART NUMBER	QUANTITY	U/M	FRU	NAME	DESCRIPTION	REFERENCE/EC
DFS057I REQUESTED BLOCK NOT AVAILABLE: 0C7FDDDF4 RC=04 92X6474	1	1		FFB/M	B/M COPY	

PARTS AND ASSEMBLIES						
CK PART NUMBER	QUANTITY	U/M	FRU	NAME	DESCRIPTION	REFERENCE/EC
1621812	2	1		SCREW	M4X8 HXWSHTT	
21F3125	1	1		LABEL		
21F4115	1	1		PWR SUPPLY	FEATURE/EMEA	

COMMENTS-THIS FFB/M WILL ONLY BE INSTALLED WITH EITHER CHG-10000837425  
F/C 2400 OR F/C 2601. 10000837425

END OF BILL OF MATERIAL

DFS057I REQUESTED BLOCK NOT AVAILABLE: 0C7FDDDF4 RC=04

\*\*\*LAST PAGE\*\*\*